

FOOT PEDAL ASSEMBLIES

MODEL FP6

CURTIS



DESCRIPTION

A durable foot pedal throttle assembly for use with Curtis PMC electronic motor speed controllers.

WARRANTY

2 years from date of delivery.

Application

Curtis FP6 Foot pedal assembly is ideal for use in electric forklifts, golf carts, electric street vehicles and other vehicle types.

Features

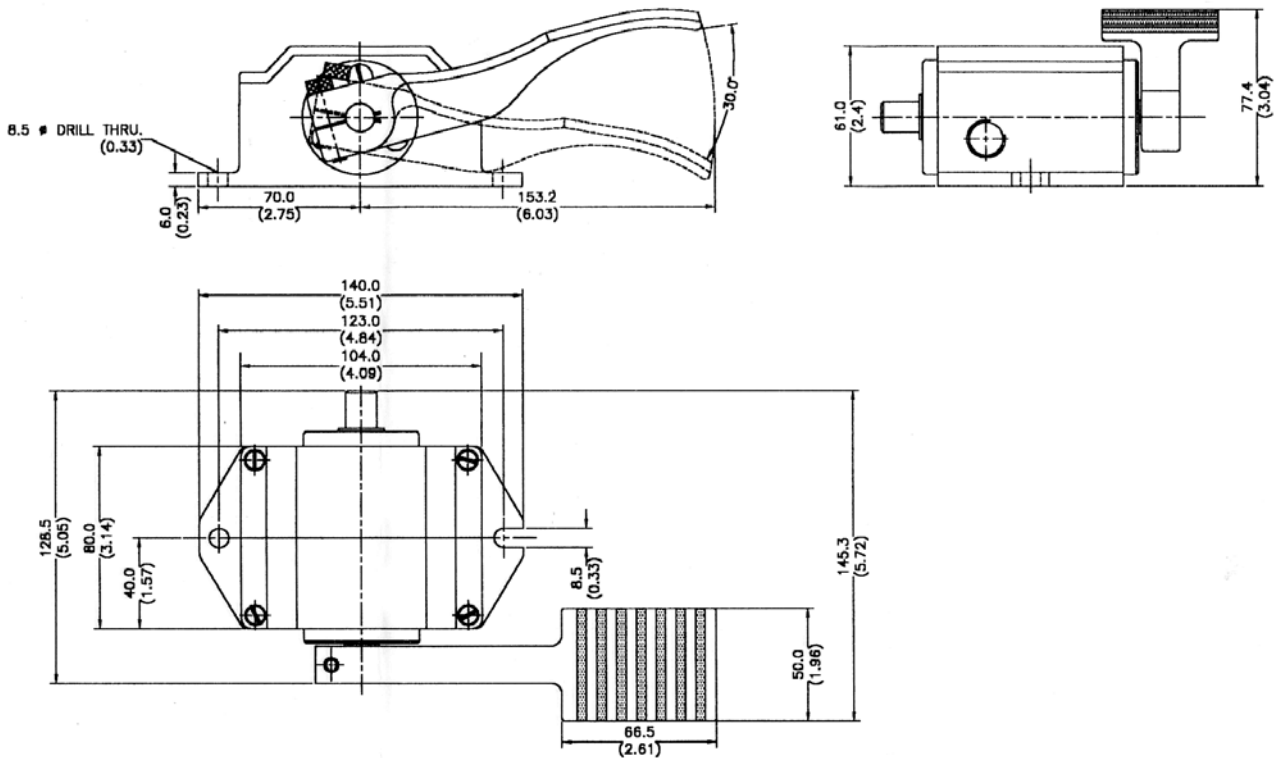
- *Rugged LM24 aluminium casing - ideal for tough environments such as material handling.*
- *The entire foot pedal rotates on its mounting base - for maximum installation flexibility.*
- *Cable exit points at rear - for easy installation.*
- *Dual return spring design ensures increased reliability*
- *5K potentiometer.*
- *Model FP6 includes two adjustable microswitches*
- *The foot pedal can be mounted on either side of the mounting base.*

Specifications

Curtis Model FP6:

- Maximum current for microswitches: 4A at 30V DC (Resistive load)
- 3 Wire 5K potentiometer (Curtis 98191)
- 7 Core cable. Length 1000mm
- Pedal shaft stainless steel SS 410

Dimensions: mm (inches)



Installation

Potentiometer – 5K

Wiring:

Wire Colour	Function	
Black	Potentiometer low	
White	Potentiometer wiper	
Red	Potentiometer high	
Green	Footswitch 1	
Blue		
Yellow		Footswitch 2
Grey		

Model Reference

FP6